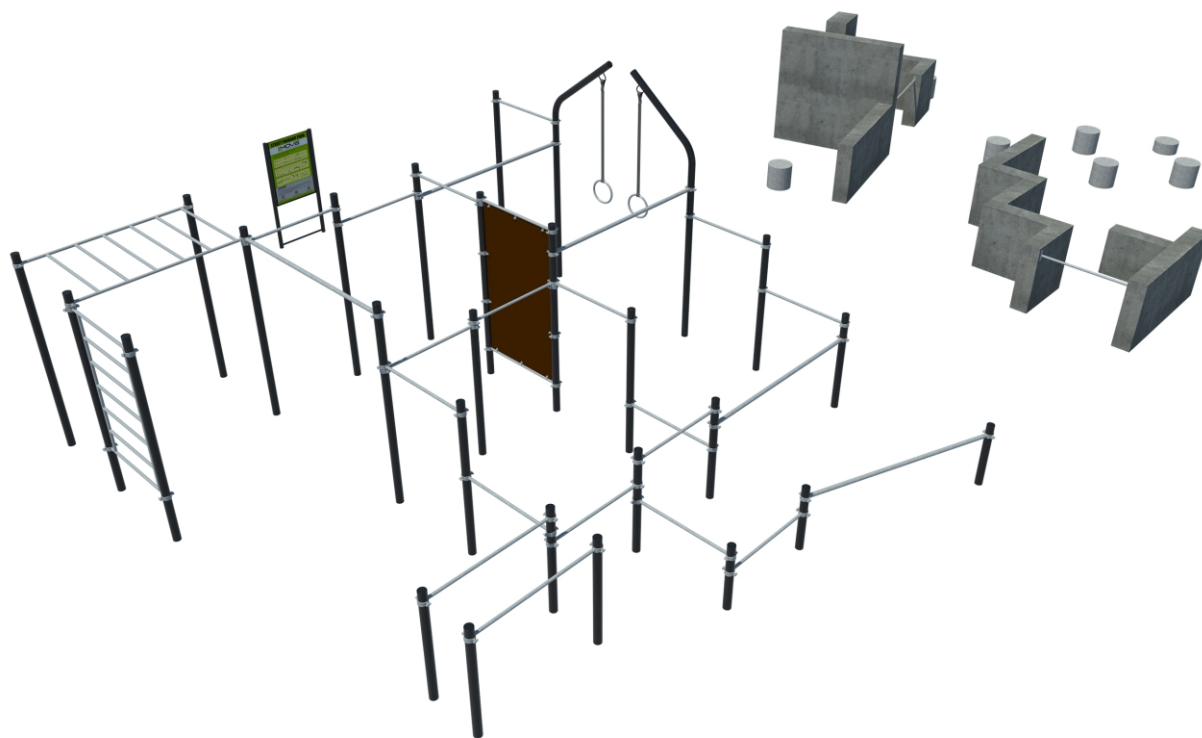
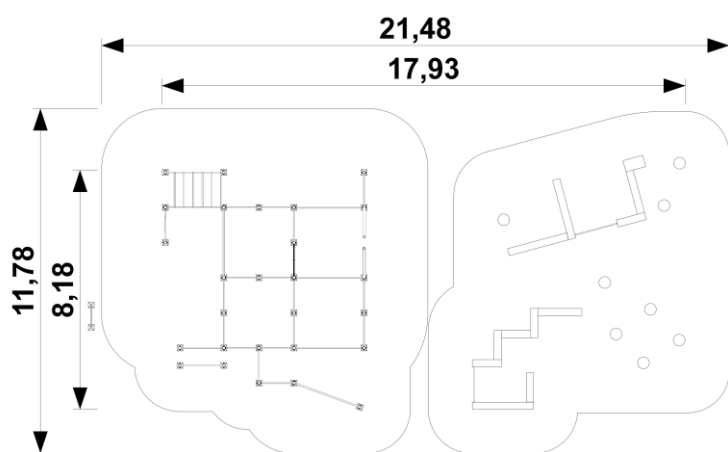


VISUALISATION



Devices prepared basing on the following standards: PN-EN 1176-1:2009
Set designed basing on the following standards: PN-EN 16899:2017-02

PLAN WITH IMPACT AREA AND DIMENSIONS



SET DIMENSIONS

Devices dimensions: 17,93 x 8,18 x 3,44 m
Impact area dimensions: 21,48 x 11,78 m
Impact area surface: 217,43 m²

Free height of fall: 2,40 m.

SET CONTENT

- horizontal ladder	- 1 pcs.
- vertical ladder	- 1 pcs.
- cross bar 1,2 m	- 17 pcs.
- cross bar 1,5 m	- 1 pcs.
- cross bar 2,4 m	- 5 pcs.
- parallel bar 1,5 m	- 2 pcs.
- gymnastics rings	- 1 set
- vertical wall	- 1 pcs.
- vertical column 2,5 m	- 11 pcs.
- vertical column 1,9 m	- 4 pcs.
- vertical column 1,3 m	- 7 pcs.
- vertical column 0,8 m	- 3 pcs.
- wall A	- 2 pcs.
- wall D	- 2 pcs.
- wall F	- 5 pcs.
- wall G	- 1 pcs.
- wall H	- 1 pcs.
- wall K	- 1 pcs.
- cylinder SBR $\phi=40$ cm h=20 cm	- 2 pcs.
- cylinder SBR $\phi=40$ cm h=40 cm	- 6 pcs.
- information board	- 1 pcs.

TECHNICAL SPECIFICATIONS

Vertical columns made of steel with a cross-section of 88,9x3,6 mm, double layer powder paint on black (RAL 9005)

Hot dip galvanized cross bars made of pipes with thickness adapted to the length, e.g.

1,2 m – 33,7x2,9 mm

1,5 m – 33,7x4,0 mm

2,4 m – 48,3x4,0 mm

Hot dip galvanized ladder, bars.

Walls made of concrete C20/25, chamfered wall edges

Cylinders made of SBR granulate glued with specialistic adhesive

Gymnastics rings made of stainless steel

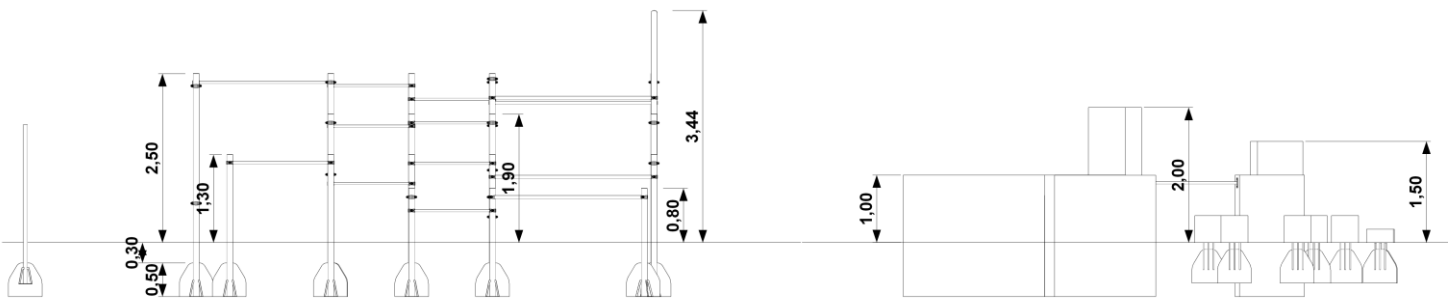
Wall made of anti-slip plywood

Information board painted with double layer powder paint on black (RAL 9005), have a sticker with regulations of use and examples of exercises.

To special order we product cross bars, ladders, paraller bars made of double layer painted steel or stainless steel.

There is option to paint vertical cloumns on any color from the RAL palette.

FOUNDATION



Each vertical column poured with semi-dry concrete C20/25 for 80 cm below ground level. Volume of one footing min. 0,125 m³ (50x50x50 cm). Foundations are placed 30 cm below ground level, what prevent accidental or purposeful discovery.

Walls mounted by placing a concrete foundation on depth of 80 cm.

SBR cylinders poured with semi-dry concrete C20/25 60 cm below ground level.

IMPACT ATTENUATING SURFACES

It is required to make one of the impact attenuating surface:

Sand – 0,2 - 2 mm grain size, depth min. 300 mm,

Gravel – 2 - 8 mm grain size, depth min. 300 mm,

Bark – 20 - 80 mm particle size, depth min. 300 mm,

Woodchips – 5 - 30 mm particle size, depth min. 300 mm,

Other materials and other depths as tested according to EN 1177